


SACC-E-MINFS-5CON-PG13/0,5

Order No.: 1521449

<http://eshop.phoenixcontact.de/phoenix/treeViewClick.do?UID=1521449>

Sensor/actuator flush-type socket, 5-pos., 7/8", front mounting with
Pg13.5 thread, with 0.5 m PE litz wire, 5 x 0.75 mm²

Commercial data

GTIN (EAN)	 4 017918 949662
sales group	D125
Pack	1 pcs.
Customs tariff	85369010
Catalog page information	Page 39 (PC-2009)

Product notes

WEEE/RoHS-compliant since:
03/17/2006



<http://www.download.phoenixcontact.com>
Please note that the data given here has been taken from the online catalog. For comprehensive information and data, please refer to the user documentation. The General Terms and Conditions of Use apply to Internet downloads.

Technical data**General data**

Rated current at 40°C	9 A
Rated voltage	250 V
Number of positions	5
Volume resistance	≤ 5 mΩ
Insulation resistance	≥ 100 MΩ

Length of cable	0.5 m
Ambient temperature (operation)	-40 °C ... 85 °C (female)

General characteristics

Surge voltage category	II
Pollution degree	3
Degree of protection	IP67
Contact material	CuZn
Contact surface material	Au
Contact carrier material	PUR
Material, knurls	Anodized aluminum
Sealing material	Viton
Mounting type	Front mounting Pg13.5
Type of connection	Individual wires
Status display	No

Conductor data

Cable type	PE litz wires
Conductor cross section	0.75 mm ²
AWG signal line	18
Conductor structure signal line	24x 0.20 mm
Core diameter including insulation	2.7 mm
Thickness, insulation	0.85 mm (Core insulation)
Wire colors	Black, brown, blue, white, green/yellow
Material conductor insulation	PE
Ambient temperature (operation)	-40 °C ... 85 °C (cable, fixed installation)

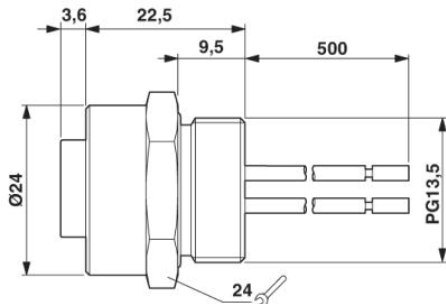
Certificates / Approvals



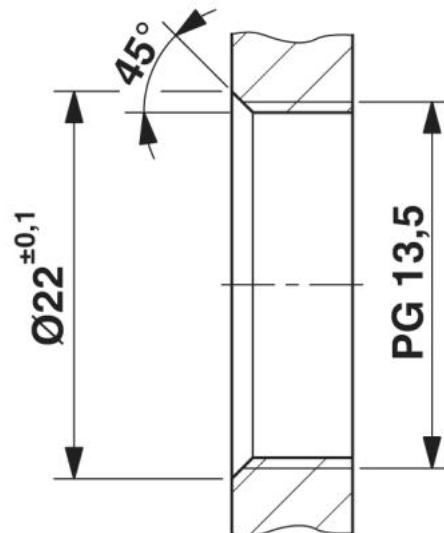
Certification CUL, UL

Diagrams/Drawings

Dimensioned drawing

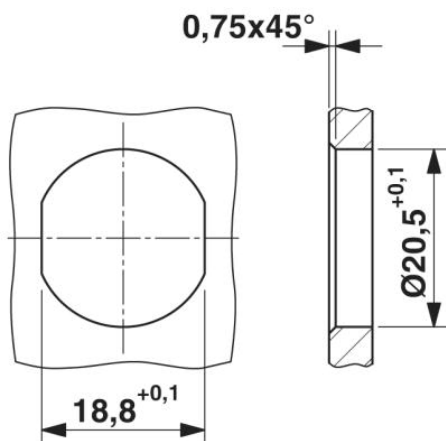


Flush-type connector 7/8"

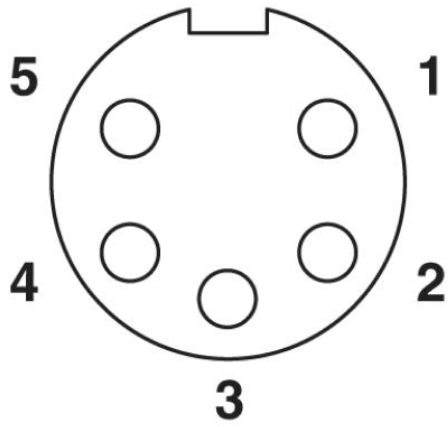


Mounting panel with thread

Mounting panel with feed-through hole



Schematic diagram



Pin assignment, socket, 7/8"-16UNF, 5-pos., view of female side

Address

PHOENIX CONTACT Inc., USA
586 Fulling Mill Road
Middletown, PA 17057, USA
Phone (800) 888-7388
Fax (717) 944-1625
<http://www.phoenixcon.com>



© 2010 Phoenix Contact
Technical modifications reserved;